

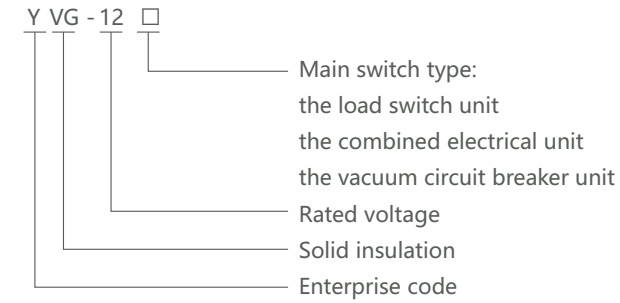
Medium Voltage Switchgear YVG-12 Solid Insulation Ring Network Cabinet

- YVG-12 series solid insulation ring network switchgear is a fully insulated, fully sealed, and maintenance free solid insulation vacuum switchgear.
- The ring network cabinet has the characteristics of simple structure, flexible operation, reliable interlocking, and convenient installation, and is suitable for 50Hz, 12 kV power systems. It is widely used in industrial and civil cable ring networks and distribution network terminal projects, as a means of receiving and distributing electricity, especially suitable for urban residential distribution, industrial and mining enterprises. Used in airports, subways, wind power generation, tunnels, and other places.
- Suitable for use in areas with harsh environments such as high altitude, high temperature, humid heat, severe pollution, etc.
- Standards: IEC62271-1-200 IEC62071-2000-2003

General

Medium Voltage Switchgear YVG-12 Solid Insulation Ring Network Cabinet

Selection



Classified by functional units in the system: incoming cabinet, outgoing cabinet, buscouple cabinet, metering cabinet, PT cabinet, lifting cabinet, etc., represented by wiring scheme number. According to the type of main switch components, it is divided into: load switch cabinet, load switch fuse combination electrical cabinet, circuit breaker cabinet, and isolation switch cabinet, etc., represented by F (fuse combination electrical appliance), V (circuit breaker), C (loadswitch), etc

Operating conditions

- Ambient Temperature: No more than +45°C, No less than -45°C. Average temperature no more than +35°C within 24 hours.
- Altitude: No more than 3000m.
- Relative Humidity: the average daily value is no more than 95%, the average monthly value is no more than 90%.
- Earthquake Intensity: No more than 8 degrees.
- Vapor Pressure: the average daily value is no more than 2.2kPa, and the average monthly value is no more than 1.8kPa.
- Installation locations without fire, explosion danger, serious pollution, chemical corrosion and violent vibration.

Technical data

Item	Unit	C Module	F Module	V Module	
		Load switch	Load switch with fuse	Vacuum switch	Disconnecter/ Earthing Switch
Rated voltage	kV	12	12	12	12
Rated frequency 1min	Hz	50/60	50/60	50/60	50/60
Power frequency withstand voltage in 1 min	kV	42/48	42/48	42/48	42/48
Lightning impulse withstand voltage(Peak)	kV	75/85	75/85	75/85	75/85
Rated current	A	630	note ¹⁾	630	/
Rated closed loop breaking current	A	630	/	/	/
Rated cable charging breaking current	A	10	/	/	/
Rated short circuit making current	A	50	80	50	50
Rated peak withstand current	kA	50	/	50	/
Rated short time withstand current	kA/3S	20	/	20	/
Rated short circuit breaking current	kA	/	31.5	20	/
Rated transfer current	A	/	1700	/	/
Max. rated current of fuse	A	/	125	/	/
Loop resistance	μΩ	≤200	≤500	/	/
Mechanical life	times	5000	3000	5000	2000

Note: 1) Depends on the rated current of the fuse

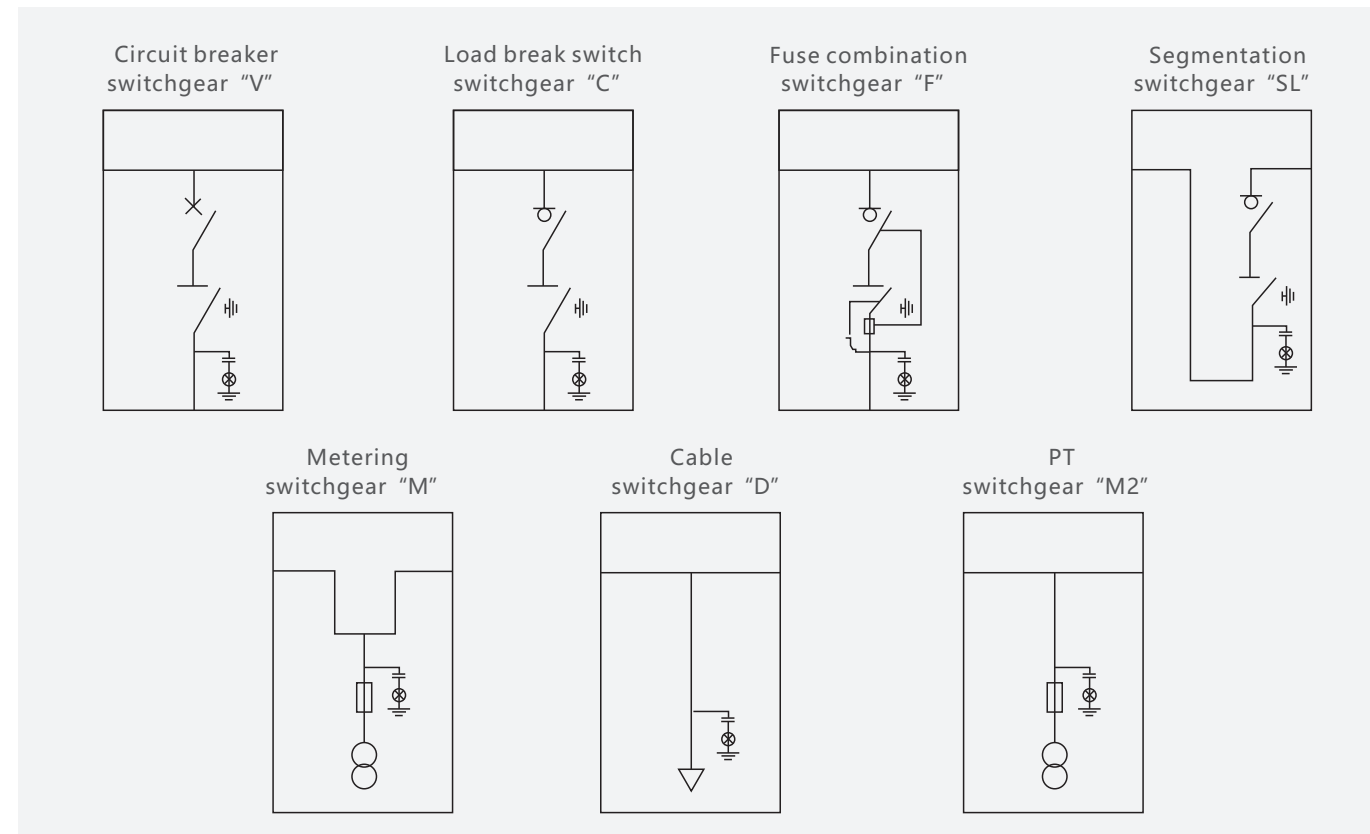


Medium Voltage Switchgear YVG-12 Solid Insulation Ring Network Cabinet

Feature

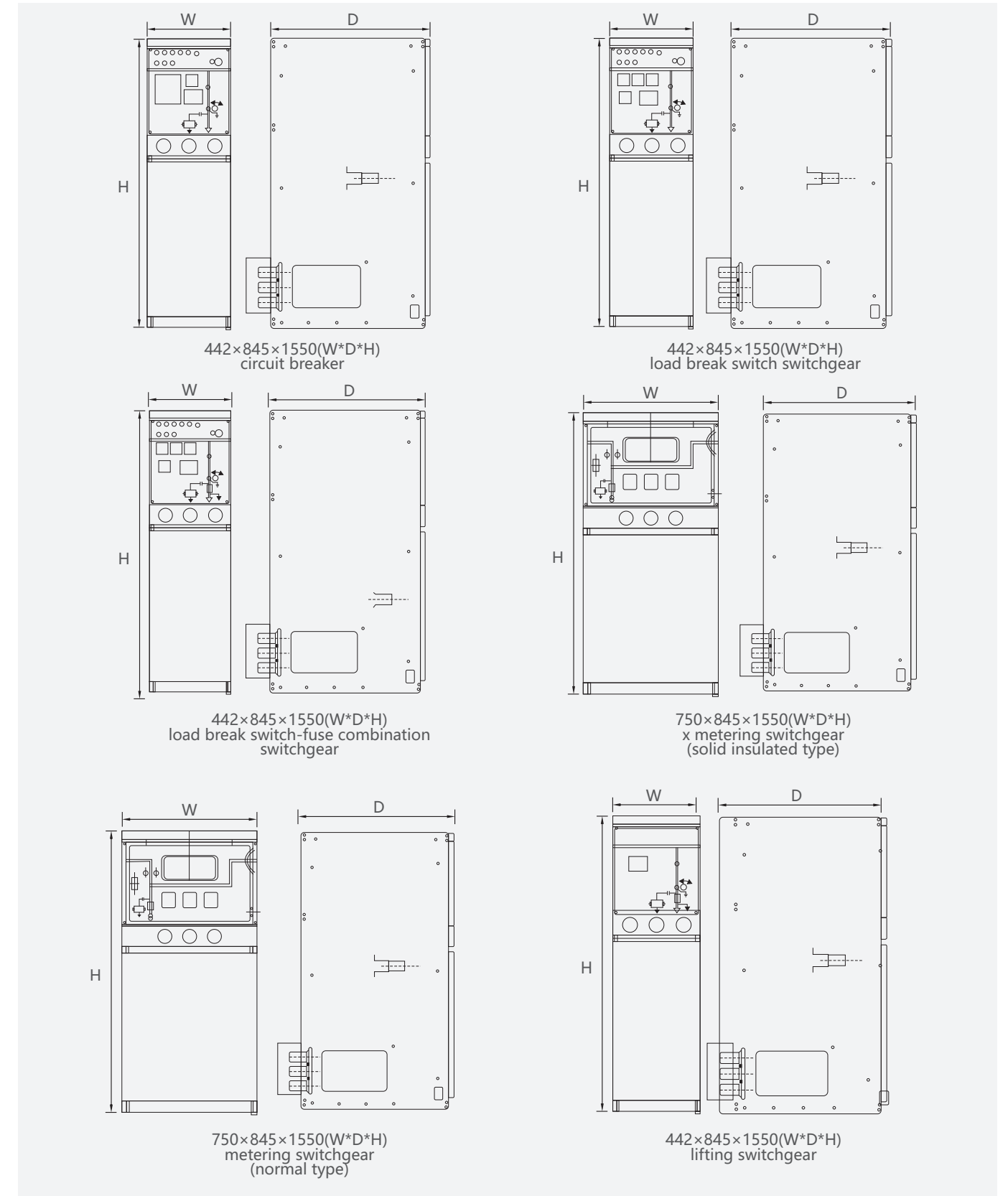
1. YVG-12 switchgear mainly has three functional units, namely V unit(circuit breaker unit), C unit (load switch unit), F unit (combined electrical unit), when the system requires multiple units to be configured , can be arbitrarily expanded on the left and right sides, and can be arranged arbitrarily according to different design schemes to achieve different configuration requirements.
2. Each unit is structurally divided into three parts: instrument room, operating mechanism and primary circuit. The instrument room can be equipped with microcomputer protection (intelligent controller) and other meters. The operating mechanism is a special spring operation mechanism, which can also be equipped with additional Electric operating mechanism; the primary circuit adopts APG automatic gel technology, and the busbar, isolating switch and arc extinguishing chamber are completely sealed in epoxy resin, and there are special joints connected to the busbar.
3. YVG-12 solid insulation switchgear has the advantages of compact structure, full insulation, long life, maintenance-free, small space occupation, safety and reliability, and is not affected by the working environment. It is widely used in industrial and civil ring network and terminal power supply .

Design scheme



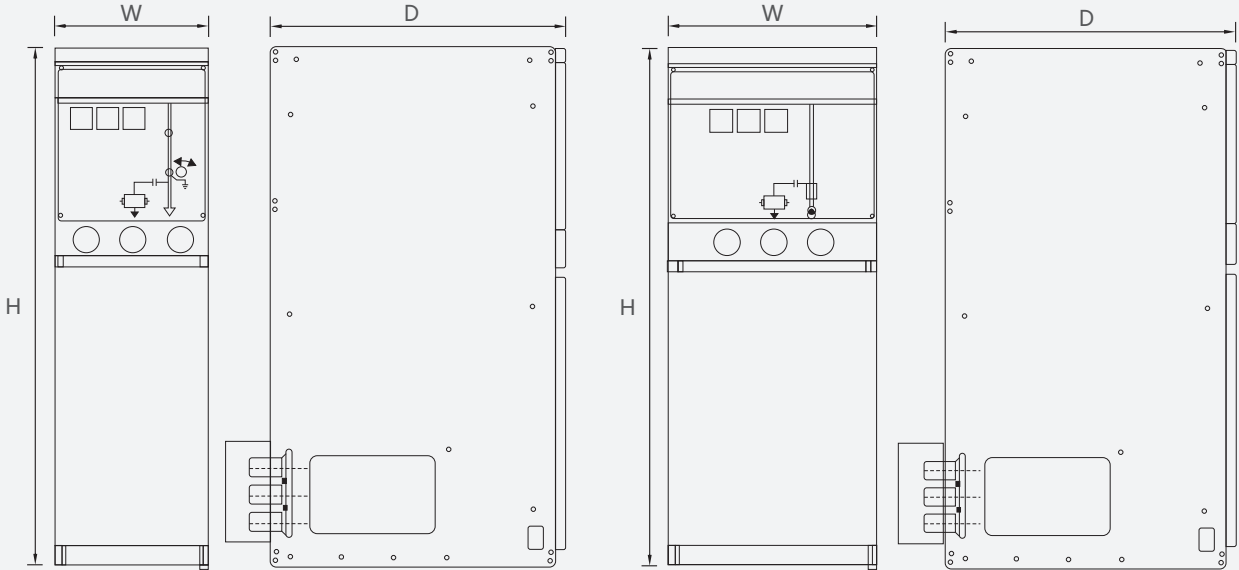
Medium Voltage Switchgear YVG-12 Solid Insulation Ring Network Cabinet

Overall and mounting dimensions(mm)



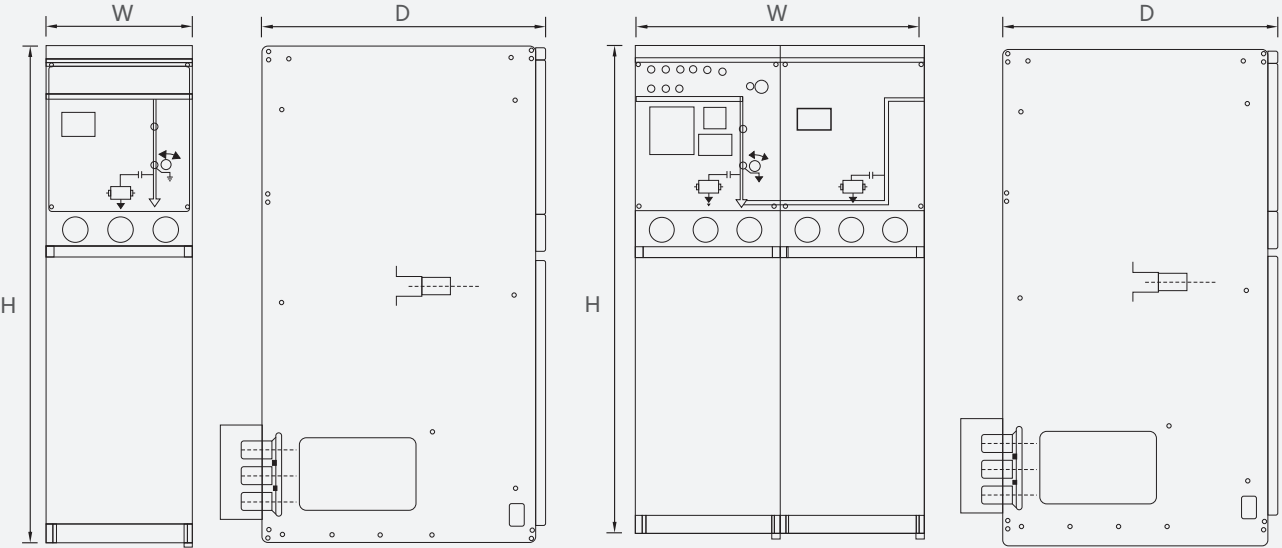
Medium Voltage Switchgear

YVG-12 Solid Insulation Ring Network Cabinet



442x845x1550(W*D*H)
PT switchgear with disconnector
(solid insulated type)

600x845x1550(W*D*H)
PT switchgear without disconnector
(normal type)



442x845x1550(W*D*H)
disconnector switchgear

884x845x1550(W*D*H)
lifting switchgear