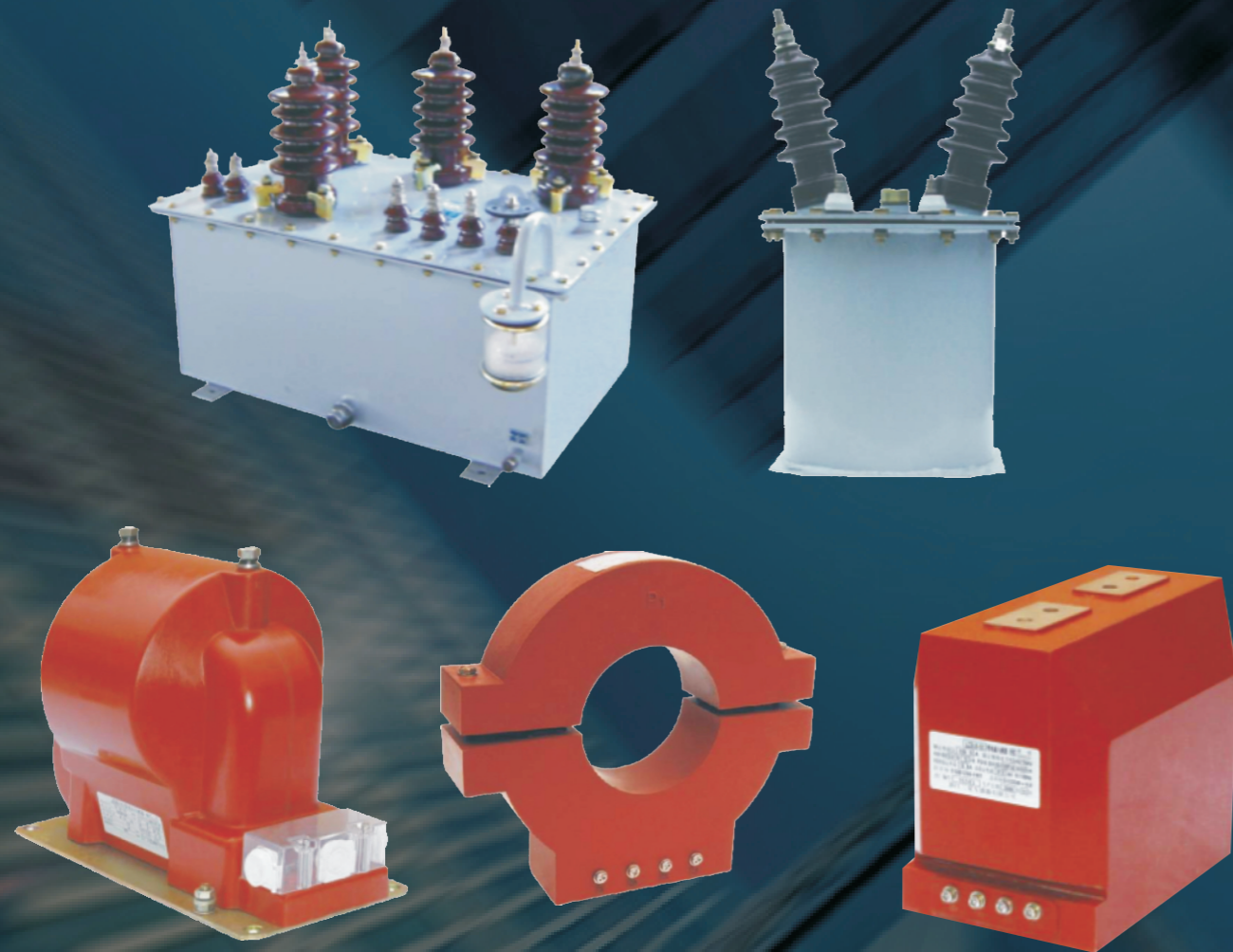


MV Transformer CT&PT



POWER TRANSMISSION AND
DISTRIBUTION PRODUCT SELECTION

PROFESSIONAL MANUFACTURER OF
HIGH AND LOW VOLTAGE PRODUCTS

CNC
ELECTRIC

MV Transformer CT&PT

LFS(B)-10 Current Transformer

- ❖ This type of current transformer is casting resin, fully enclosed and post type product. It is used for metering electric energy and current, relay protection in the electrical system.
- ❖ Standard: IEC 61869-2

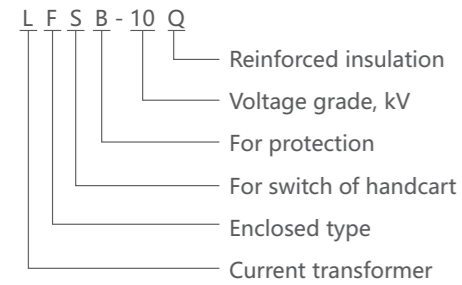
General



CNC
ELECTRIC

MV Transformer CT&PT LFS(B)-10 Current Transformer

Selection



Structural introduction

This type of current transformer is fully enclosed and post type. It has a good ability of insulation, moisture proof and antipollution. It is small and light. It can be installed at any place and any direction.

Technical data

1. Rated insulation level: 12/42/75kV;
2. Rated secondary current: 5A,1A;
3. Refer to the table for rated primary current, accuracy classed combination, rated output, rated dynamic and thermal current.
4. The conditions of partial discharge test is in line with GB1208-2006 current transformer.
5. Antipollution class: IIclass.

Technical data

Model	Rated Primary Current (A)	Accurate Grade Combination	Rated Secondary Output(VA)			Rated Short-time thermal-current (KA virtual value)	Rated Dynamic Stability Current (KA virtual value)
			0.2	0.5	10P10		
LFS-10 (LZZB-10)	5-200	0.2/0.2 0.5/0.5 0.2/0.5 0.2/10P10 0.5/10P10	10	10	15	8011N	20011N
	300					21	50
	400					24	60
	600					30	70
	800					40	75
LFSB-10 (LZZBJ-10)	5-200	0.2/10P10 0.5/10P10	10	10	20	8011N	20011N
	300					21	50
	400					24	60
	600					30	70
	800					40	75
1000							

MV Transformer CT&PT LFS(B)-10 Current Transformer

Diagram1 Overall and mounting dimensions(mm) of LFS-10Q(LZZB-10)

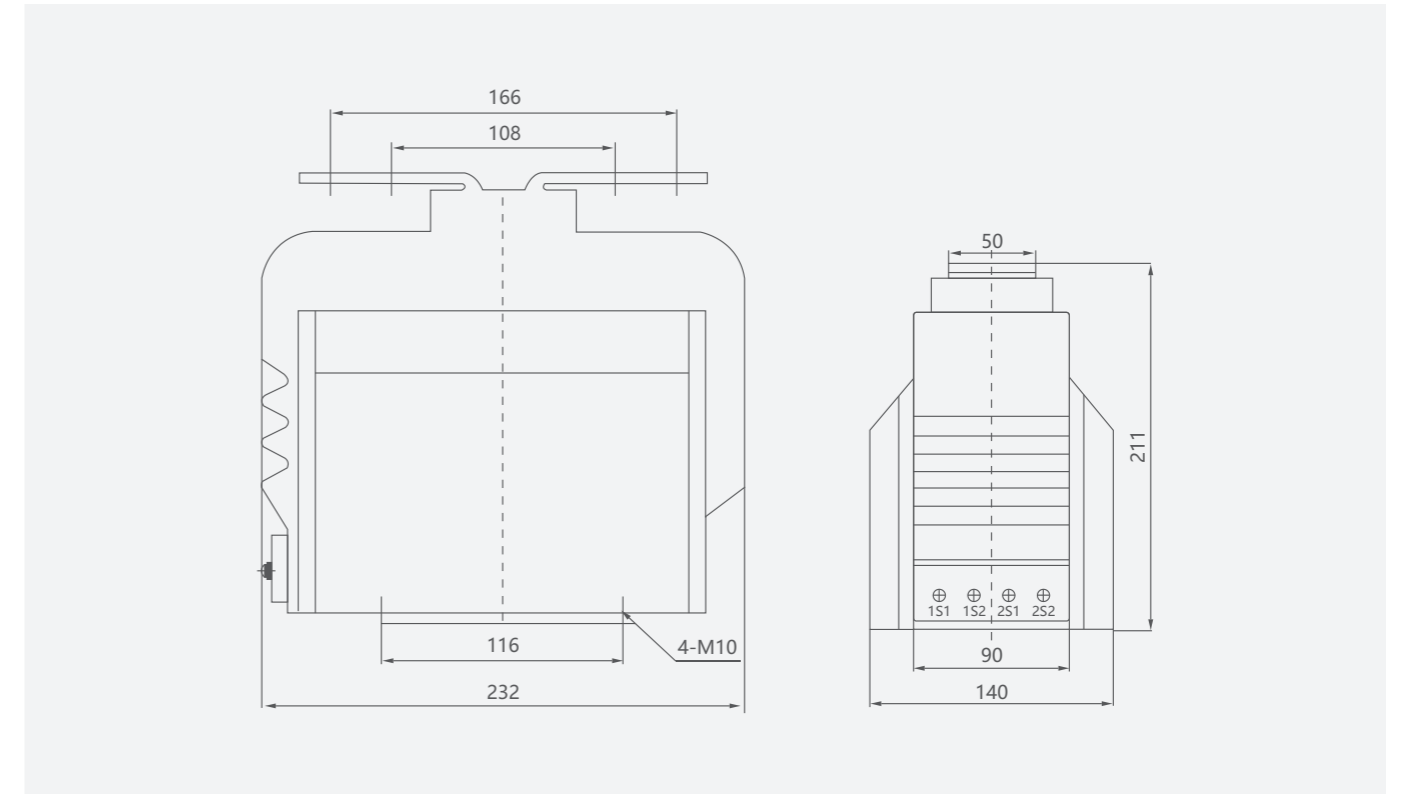


Diagram2 Overall and mounting dimensions(mm) of LFSB-10(LZZBJ-10)

